

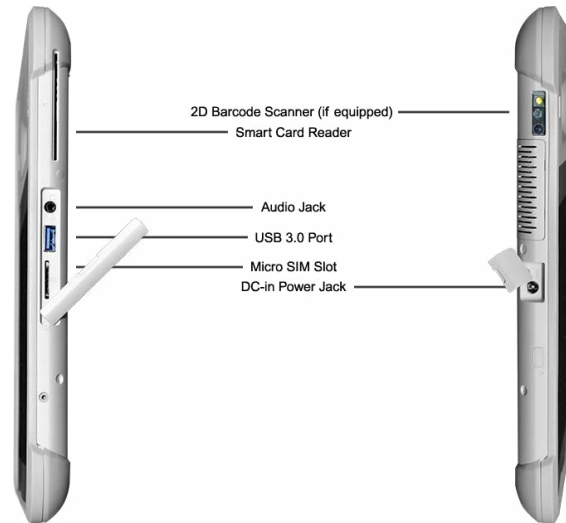
CyberMed Rx

10.1" Rugged Medical Tablet



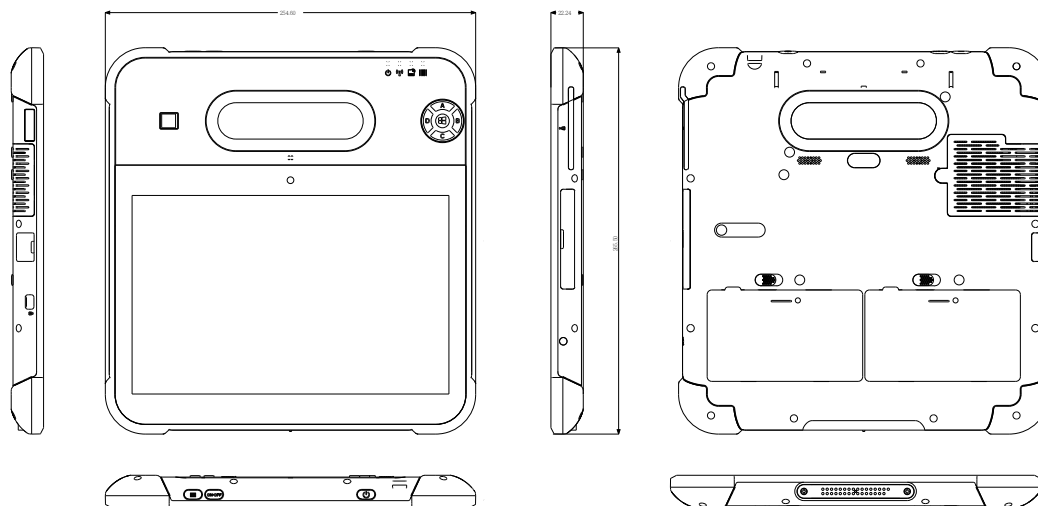
Main Features

- 10.1" High Resolution Panel
- PCAP Multi-Touch Display
- IP65 Rated
- UL/cUL/IEC60601-1 Certified
- Full Antimicrobial Exterior



Technical Specifications

Display	MVA LED Panel 1920x1200 400nits 170°/170° Viewing Angle 800:1 Contrast Ratio
CPU Support	5th Generation Intel Core i5/i7 Processors with vPro Technology
Chipset	Integrated
Memory	1x DDR3L 1333/1600MHz SO-DIMM sockets, populated up to 16GB
Operating System	Windows 10, Windows IoT, Windows 8.1, Windows 7, Linux
Video & Graphics	Intel HD Graphics with Rotation of 0°, 90°, & 270°
Touch Screen	PCAP Multi-Touch with Corning® Gorilla® Glass and Antimicrobial Protection
Networking	Optional: 1x Gigabit (Gbe) LAN Integrated
Wireless	Intel Dual Band Wireless-AC 802.11 AC + Bluetooth 4.2
Integrated	2MP Front Facing Webcam and 5MP Rear Facing Webcam
Peripherals	Biometric Fingerprint Reader Smart Card Reader (ISO7816, EMV2000 L1 Certified). Optional: FIPS 140-2 Compliant Reader
HDD Support	1x M.2 6Gbps Serial ATA III port
TPM	Version 2.0 Standard. Optional: Version 1.2
Sensor	G Sensor Support, Display Auto-Rotate Support
Power Input	1 x 19VDC @ 3.78A
Power Supply	72W Medical Grade Power Supply, Input: universal 100~240V AC, 47-63Hz. Supports Output range: DC19V, 3.78A Meets Efficiency level 6
Relative Humidity	10%~90% (non-condensing)
Waterproof	IP65 Sealed Front Bezel and IPX1 Back Cover



Mechanical & Environmental

Dimensions	10.43" x 10.00" x 0.87" (L,W,D)
Weight	Under 2.2lbs (1Kg)
Wall Mount	Supports 75mm & 100mm VESA Mounting Holes using Optional VESA Mount
Environment	Ambient Temperature: 0°C~40°C (operating)
Certifications	UL60601-1, cUL60601-1, IEC60601-1, EN60601-1, FCC-B, CE, SAR, UN38.3, MIL-STD-810G (516.6-VI. Transit drop test)

Input/Output

I/O Ports	<ul style="list-style-type: none"> 1x USB 3.0 1x DC-in Jack 1x Audio Jack 1x Docking 1x Kensington cable lock slot with star-shaped screw
Audio	<ul style="list-style-type: none"> 2x 1W Stereo Speaker 1x Internal MIC 1x Combo Jack

Optional Features

- Antiglare Touchglass
- 2D Barcode Scanner
- Hand & Shoulder Strap
- 4G LTE Module
- VESA | Desktop Docking Stations
- 6x Battery Multicharge Station
- Fingerprint Reader
- Integrated Imprivata SSO
- Certified RFID Reader
- Extended Warranties

